

Pac-Fab Full-Flow Valve	441
Pac-Fab Hi-Flow Valves	442
Pac-Fab Multiport Valves	443-444
Pac-Fab Slide Valves	445

HATCHIK SUPPLY CO.

Valves

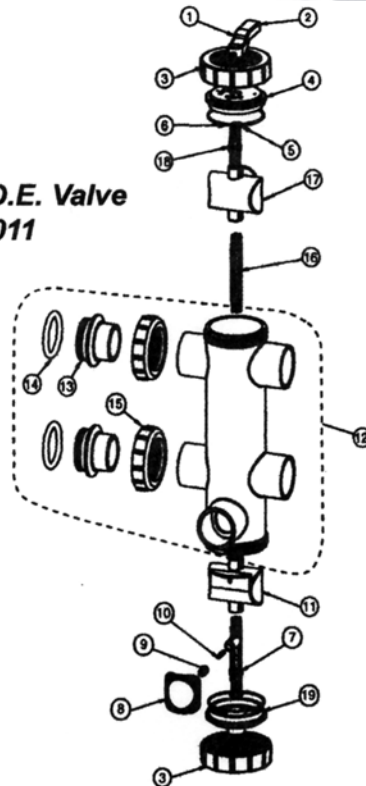
Complete Product on Page 121

PENTAIR (PAC-FAB) FULL-FLOW VALVE

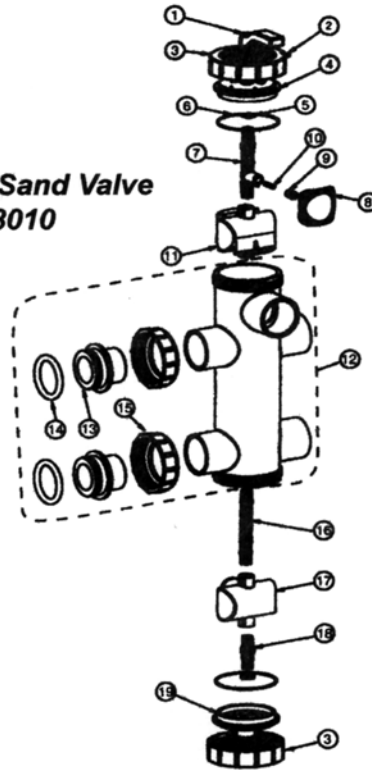
KEY	MFG NO.	DESCRIPTION	ITEM NO.
1	278006	Handle	H9400
2	275000	Screw	OBS
3	278020	Cap - Nut, 2 req.	H9404
4	278021	Cap Insert - Top	H9406
5	192039	O-Ring, Bunan, 2 req.	H9408
6	275300	O-Ring, Bunan 70, 2 req.	H9410
7	278004	Stem - Waste Seal	OBS
8	278019	Seal - Waste	H9414
9	271065	Spring, .42 o.d	H9416
10	270006	Spring, .24 o.d.	OBS
11	278002	Port - Diverter	OBS
12	270007	Body - 7-1/2" Centerline (Sand)	H9436*
12	270008	Body - 7-1/2" Centerline (D.E.)	H9438*
13	274430	Adapter - Bulkhead, 2 Required	OBS
14	274494	O-Ring - Bulkhead, 2 Required	H3371
15	274440	Nut, Adapter, 2 Required	J4526
16	278003	Shaft - 7.5" Valve	OBS
17	278018	Port - Block	OBS
18	278007	Stem	OBS
19	278022	Cap Insert - Bottom	H9428
--	270011	Shaft Assembly - (Consists of: Items 18, 17, 16, 11, 10, 9 and two 5's)	H9435*

* Items Not Sold Separately

**Full-Flow D.E. Valve
263011**



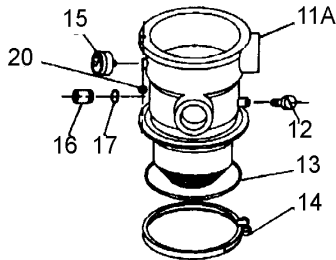
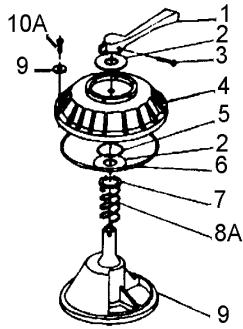
**Full-Flow Sand Valve
263010**



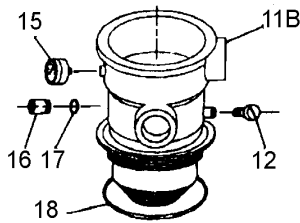
**purex
triton**

PENTAIR (PAC-FAB) HI-FLOW VALVES 1-1/2"
4-Way & 6-Way (Tagelus Filters)

Complete Product on Page 121



6" BUTTRESS STYLE VALVE

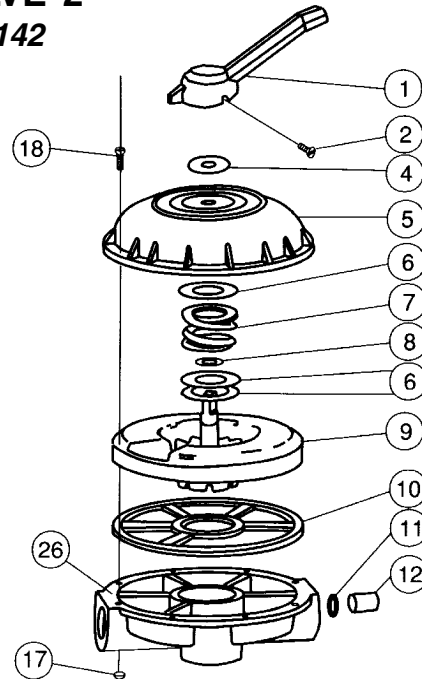


CLAMP STYLE VALVE

KEY	MFG NO.	DESCRIPTION	ITEM NO.
--	272531	Complete Top Half Assembly	K3619
1	272520	Handle	K3601
2	272505	Plastic Washer (2 needed)	K3602
3	272405	Screw, Handle	K3603
4	272527	Valve Top Only, Black	K3604
5	272511	O-Ring for Diverter Shaft	K3605
6	354053	O-Ring, Valve Top	K3606
7	272401	Washer, S.S. (before 5/1/92)	K3607
8	272400	Spring, 1-13/16" (before 5/1/92)	K3608
8A	272535	Spring, 1-3/8" (after 5/1/92)	K3609
9	272512	Diverter with Gasket	K3610
10	634598	Screw (6 needed)	K3611
10A	354541	Screw Hex Pan Head (6 req.)(after 4/94)	K4596
11A	272530	Valve Body w/Diffuser - Clamp Style	K3612*
11B	272538	Valve Body w/Diffuser - Threaded	K3613*
12	273512	Air Bleeder Screw with O-Ring	H4222
12	272515	Air Bleeder, Clamp Valves (before 3/93)	H3255
13	272541	O-Ring 3/16" x 4-5/8" ID	H4344
14	155526	Clamp, 6-1/2"	OBS
15	155050	Pressure Gauge - Back Mount	H7010
16	272550	Sight Glass with Vacuum Protector	K3618
17	271106	Gasket for Sight Glass	H3364
18	154493	O-Ring, Valve Body	H4044
19	272555	Washer - 9/16 S.S. (6 req.)(after 4/94)	H3691*
20	272554	Nut Serrated Flg S.S. (6 req.)(after 4/94)	H3693*

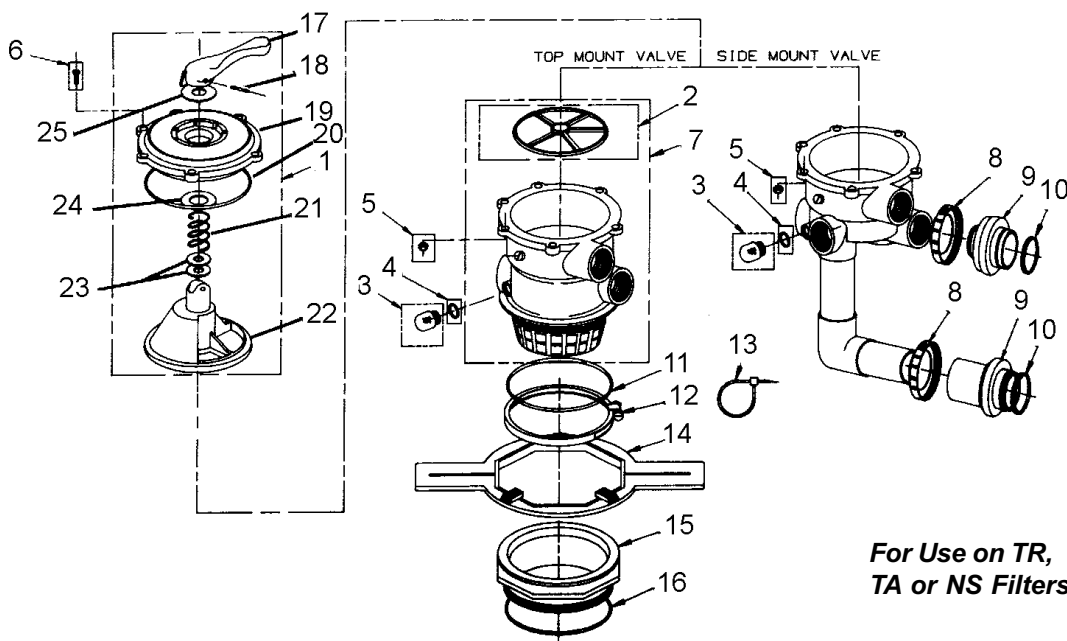
PAC-FAB HI-FLOW VALVE 2"
26-1049, 26-1050 & 26-1142

KEY	MFG NO.	DESCRIPTION	ITEM NO.
1	272520	Handle	K3601
2	272405	Screw, Handle	K3603
4	272402	Washer, Plastic	K3621
5	272412	Valve Top	K3622
6	272401	Washer, 1/32"	K3607
7	272400	Compression Spring	K3608
8	272406	Diverter O-Ring	H3328
9	272413	Diverter	K3623
10	272409	Seal for Diverter	K3624
11	272427	Gasket (Prior to 1/1/89)	OBS
12	154566	Sight Glass	K3626
17	272408	Hex Nut, 1/4"-20	OBS
18	272403	Screw, 1/4"-20	OBS
--	274407	Nut, Bulkhead Adaptor (2 needed)	H3369
--	274404	Adaptor, Bulkhead	H3374
--	274494	O-Ring, Bulkhead Adaptor (2 needed)	H3371
--	272422	Valve Top Assy (#1 thru #9)	K3628



PENTAIR (PAC-FAB, PRAHER) MULTIPORT VALVES 1-1/2" Top Mount & Side Mount

Complete
Product on
Page 121

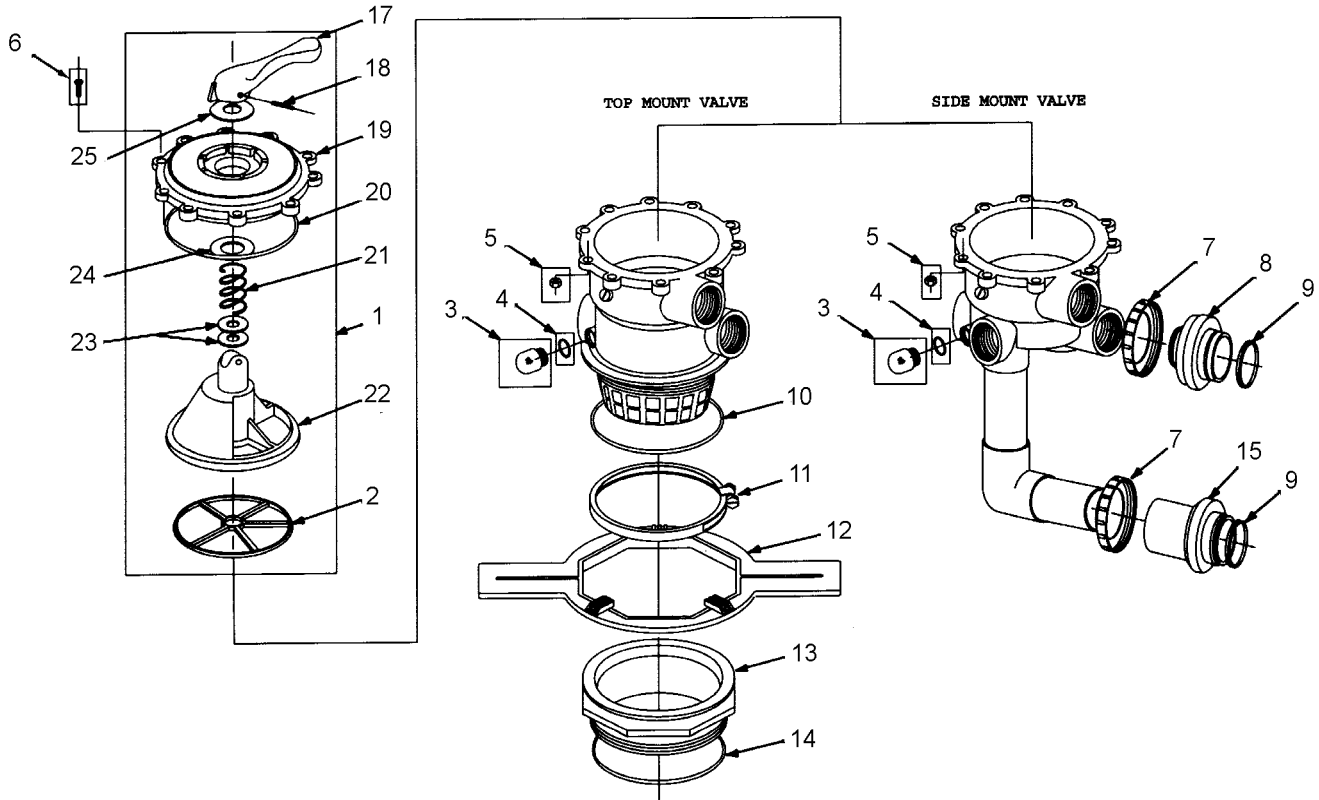


**For Use on TR,
TA or NS Filters**

KEY	MFG NO.	DESCRIPTION	ITEM NO.
1	271102	Top Valve Assembly, 1-1/2"	H3345
2	271104	Gasket for Diverter (Replaces #50141700)	H3344
3	272550	Sight Glass w/ Vacuum Protection (Old # 27-1107)	K3618
4	271106	Gasket for Sight Glass	H3364
5	271139	Nut, M6 Stainless Steel	H3365
6	152168	Screw, M6 x 1 (Replaces #27-1138)	H3368
7	271145	Body, Replacement w/Diffuser	H3376*
8	274407	Nut, Bulkhead Adaptor	H3369
9	274404	Adaptor, Valve (2 needed)	H3374
9	274651	Adaptor, Valve	H3375*
10	274494	O-Ring, Adaptor	H3371
11	272708	O-Ring, Valve Adaptor	OBS
12	155526	Clamp - Metal Screw Type	OBS
12	152162	Clamp - Plastic Snap Type	OBS
13	152163	Securing Tie	OBS
14	154513	Wrench, Flanged Valve Adaptor	OBS
15	155225	Adaptor, Flanged - Standard Thread	H4349
15	154555	Adaptor, Flanged - Buttress Thread	H4348
16	154493	O-Ring, Flanged Valve Adaptor	H4044
---	154966	90 Degree 1-1/2" Thd Barbed Ftg	OBS
---	711004	Worm Clamp, 1-1/2" Hose	H3384*
17	271156	Handle	H3358
18	271164	Pin for Handle	H3357
19	271158	Valve Top - White	H3383*
19	271165	Valve Top - Black	H3382
20	271103	O-Ring for Valve Top	H3381
21	271161	Valve Spring	H3351
22	271163	Valve Diffuser	H3380
23	271162	O-Ring, Stem	H3348
24	271160	Washer, Valve Spring	H3347
25	271157	Washer, Handle	H3346

PENTAIR (PAC-FAB, PRAHER) MULTIPOINT VALVES 2"
Top Mount & Side Mount

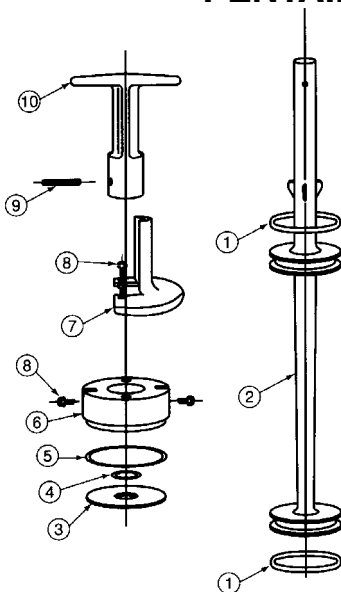
Complete
 Product on
 Page 121



KEY	MFG NO.	DESCRIPTION	ITEM NO.
1	271152	Top Valve Assembly 2"	H3359
2	271148	Gasket, Diverter	H3360
3	272550	Sight Glass w/ Vacuum Protection (Old # 27-1107)	K3618
4	271106	Gasket, Sight Glass	H3364
5	271139	Nut, M6 Stainless Steel	H3365
6	152168	Screw, M6 x 1 (Old # 27-1138)	H3368
7	274407	Nut, Bulkhead Adaptor	H3369
8	274556	Adaptor, Valve, Threaded	H3372
9	274494	O-Ring for Adaptor	H3371
10	275333	O-Ring, Valve	H4345
11	152130	Band Assembly - Valve	OBS
12	151608	Wrench for Adaptor Flange	OBS
13	154514	Adaptor - Flange Buttress Thread	OBS
14	152501	O-Ring for Adaptor	H4351
15	274404	Adaptor - Valve, Slip	H3374
17	271156	Handle	H3358
18	271164	Pin for Handle	H3357
19	271166	Valve Top - White	H3356
19	271169	Valve Top - Black	H3355*
20	271151	O-Ring, Valve Top	H3354
21	271161	Valve Spring	H3351
22	271168	Valve Diffuser	H3350
23	271162	O-Ring, Stem	H3348
24	271160	Washer, Valve Spring	H3347
25	271157	Washer, Handle	H3346

Complete Product on Page 121

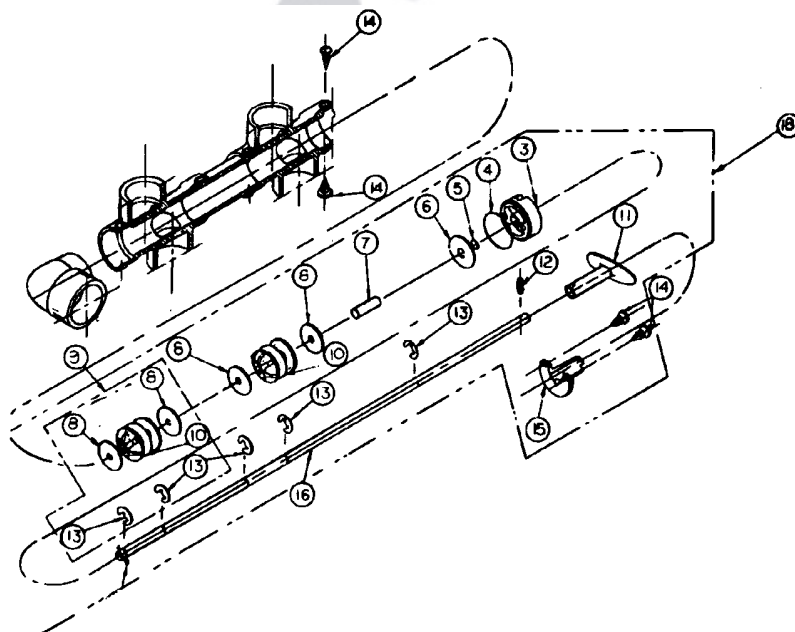
PENTAIR (PAC-FAB) PLASTIC SLIDE VALVE 2" New Style 26-1165 (1994)



KEY	MFG NO.	DESCRIPTION	ITEM NO.
1	273090	O-Ring, 1-1/2" x 3/16" Dia.	H3332
2	273106	Piston Shaft	H3330
3	273102	Washer, 5/8" x 2-5/32" x 1/8"	OBS
4	272406	O-Ring, 9/16" x 3/32"	H3328
5	273062	O-Ring, 2-1/8" x 1/8" Dia.	H3338
6	273077	Plug, 5/8" x 2-3/8"	H3367*
7	273064	Position Bracket	H3340
8	273071	Screw, S.S.	H3343
9	273063	Pin, 1/8" x 1-1/8" Long S.S.	H3339
10	273089	Handle for Plastic Shaft, 5/8"	H3326
--	273241	Piston Rod Assembly	H3366

PENTAIR (PAC-FAB) PLASTIC SLIDE VALVE 2"

Old Style 25-1165
(Prior to 1994)



KEY	MFG NO.	DESCRIPTION	ITEM NO.
3	273053	Plug, 2" PVC Piston	OBS
4	273062	O-Ring for Cap	H3338
5	273060	O-Ring for Shaft	H3336
6	273070	Washer, 3/8" Diameter	H3342*
8	273061	Washer, 3/8" S.S. (4 needed)	OBS
9	273028	Piston Half Replacement Kit	H3325*
10	273059	Piston O-Ring (2 needed)	H3335
11	273089	Tee Handle (Replaces 27-3065)	H3326
12	273063	Pin, 1/8" x 1-1/8" S.S. Locking	H3339
13	273057	Retainer Clip (5 needed)	H3333*
14	273071	Screw S.S. (4 needed)	H3343
15	273064	Position Bracket	H3340
16	273235	Shaft, 3/8"-14 x 1/4"	OBS
18	273241	Piston Rod Assembly	H3366

* Limited Quantity