

**Hayward Pro Series  
S180T, S210T, S220T & S244T ..... 355**

**Hayward Pro Series  
S210S, S220S, S224S & 310S ..... 356-357**

**Pac-Fab Tagelus ..... 358-361**

**Pac-Fab Triton II ..... 362-363**

**Pac-Fab Triton C ..... 364-365**

**Pac-Fab Triton C-3 ..... 366-367**

HATCHIK SUPPLY & SERVICE

*Filters (Sand)*



## HAYWARD PRO SERIES SAND FILTERS

Complete Product on Page 112

S180T  
S210T  
S220T  
S244T

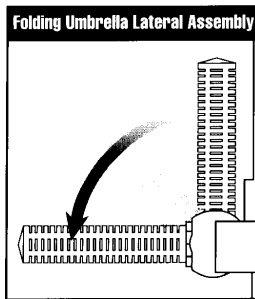
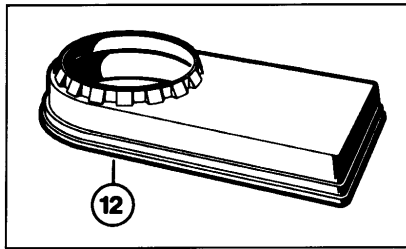
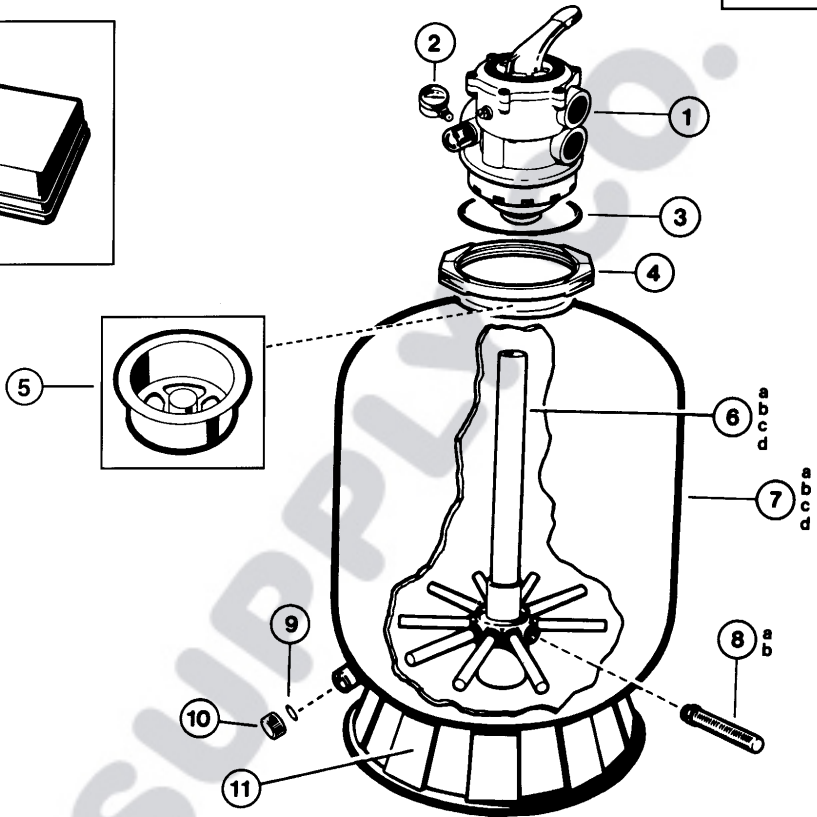


Diagram A



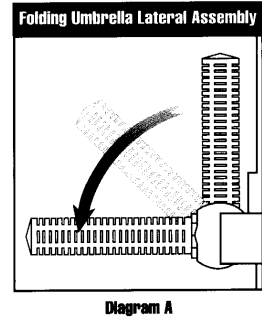
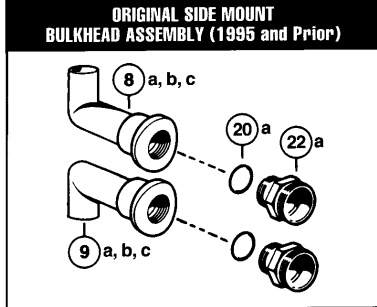
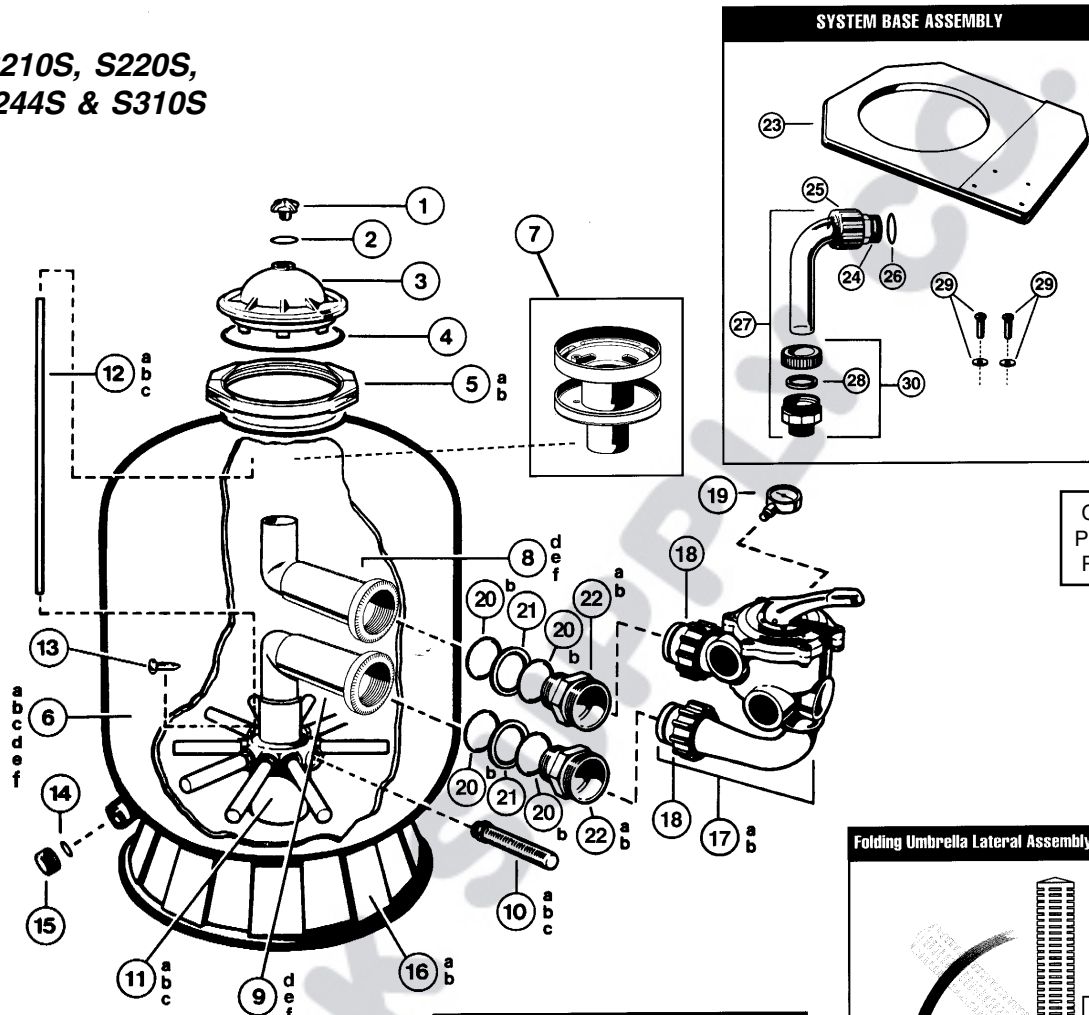
KEY	MFG NO.	DESCRIPTION	ITEM NO.
1	SP0714T	Vari-Flo XL Control Valve - 1-1/2"	H8000
2	ECX270861	Pressure Gauge	H6317
2	-----	Generic Pressure Gauge, Plastic Case, Back Mount	H7000
2	-----	Generic Pressure Gauge, Metal Case, Back Mount	H7003
3	GMX600F	Valve/Tank O-Ring	H8425
4	GMX600NM	Flange Clamp, Noryl	H6613
5	SX202S	Sand Shield (1997-Present)	H6707*
6A	SX180DA	Folding Umbrella Lateral Assembly with Center Pipe (S180T)	H6609
6B	SX210DA	Folding Umbrella Lateral Assembly with Center Pipe (S210T)	H6614
6C	SX220DA	Folding Umbrella Lateral Assembly with Center Pipe (S220T)	H6683
6D	SX244DA	Folding Umbrella Lateral Assembly with Center Pipe (S244T)	H6780
7A	SX180AA2	Filter Tank with Skirt, Drain & Lateral Assembly (S180T)	H6615*
7B	SX210AA1	Filter Tank with Skirt, Drain & Lateral Assembly (S210T)	H6616*
7C	SX220AA1	Filter Tank with Skirt, Drain & Lateral Assembly (S220T)	H6617*
7D	SX244AA1	Filter Tank with Skirt, Drain & Lateral Assembly (S244T)	H6618*
---	SX202P	Lateral Pivot (1996-Present)	H6702*
8A	SX200Q	Lateral (S180T) (10 needed)	H6670
8B	SX240D	Lateral (S210T, S220T & S244T) (10 needed)	H6772
9	SX180G	Gasket	H6610
10	SX180H	Drain Cap	H6611
11	SX200J	Filter Support Stand	H6678
12	SX180K	System Base (S180T Systems)	H6612*

**HAYWARD PRO SERIES SAND FILTERS**  
**S210S, S220S, S244S & S310S**

KEY	MFG NO.	DESCRIPTION	ITEM NO.
1	SX200G	Manual Air Relief Cap	H6640
2	SX200Z5	O-Ring, 13/16" O.D.	H6642
3	SX244K	Top Closure Dome	H6639
4	GMX600F	Valve/Tank O-Ring	H8425
5A	GMX600NM	Flange Clamp (Dome - Tank) Noryl	H6613
5B	SX310N	Flange Clamp (Dome - Tank) (S310S)	H6600
6A	SX210AA2FW	Filter Tank (S210S after 1997)	H6641*
6B	SX220AA2	Filter Tank (S220S)	OBS
6C	SX244AA2	Filter Tank (S244S 1996 & prior)	OBS
6D	SX244AA2FW	Filter Tank (S244S after 1996)	H6645*
6E	SX310AA2	Filter Tank (S310S 1996 & prior)	H6649*
6F	SX310AA2FW	Filter Tank (S310S after 1996)	H6738*
7	SX244G	Top Diffuser	H6651
8A	SX210CD	Top Elbow Assembly (S210S 1995 & prior)	H6652*
8B	SX244CD1	Top Elbow Assembly (S244S 1995 & prior)	H6654*
8C	SX310CD1	Top Elbow Assembly (S310S 1995 & prior)	H6655
8D	SX210CD1FW	Top Elbow Assembly (S210S after 1996)	H6740
8E	SX244CD1FW	Top Elbow Assembly (S244S after 1996)	H6637*
8F	SX310CD1FW	Top Elbow Assembly (S310S after 1996)	H6656
9A	SX210CD2	Bottom Elbow Assembly (S210S 1995 & prior)	OBS
9B	SX244CD2	Bottom Elbow Assembly (S244S 1995 & prior)	H6661
9C	SX310CD2	Bottom Elbow Assembly (S310S 1995 & prior)	H6663*
9D	SX210CD2FW	Bottom Elbow Assembly (S210 after 1996)	H6691*
9E	SX244CD2FW	Bottom Elbow Assembly (S244S after 1996)	H6692*
9F	SX310CD2FW	Bottom Elbow Assembly (S310S after 1996)	H6698*
10A	SX200Q	Lateral (S210S) (10 needed)	H6670
10B	SX240D	Lateral (S220S & S244S) (10 needed)	H6772
10C	SX310HA	Lateral (S310S)	H6605
11A	SX242MA1	Folding Lateral Holder Assy (S310S after 1997)	H6774*
11B	SX242MA2	Folding Lateral Holder Assy (S220S, S244S after 1999)	H6742*
11C	SX242MA3	Folding Lateral Holder Assy (S310S after 1999)	H6733*
12A	CX3000Z2	Plastic Air Tube (S210S)	H6665
12B	CX1100Z4	Plastic Air Tube (S244S)	H5240*
12C	SX200Z1	Plastic Air Tube (S310S)	H6658
13	SX200Z2	Air Tube Lock Screw	H6660*
14	SX180G	Gasket	H6610
15	SX180H	Drain Cap	H6611
16A	SX200J	Filter Support Stand	H6678
16B	SX310J	Filter Support Stand, Large (S310S)	H6606*
17A	SP0710X62	1-1/2" Vari-Flo Control Valve Assembly with Gauge	H8016
17B	SP0715X62	2" Vari-Flo Control Valve Assembly with Gauge	H8017
18	SX200Z4	O-Ring	H6694
19	ECX270861	Pressure Gauge	H6317
20A	SX220Z3	O-Ring (Large, 1995 & prior, 2 needed)	H6669
20B	SX360Z1	O-Ring	OBS
21	SX360E	O-Ring Spacer (after 1995)	H6703*
22A	DEX360F	Bulkhead Fitting (2 needed)	H6120
22B	SX244P	Bulkhead Fitting (S210S, S244S, S310S, S311S)	H6705*

HAYWARD PRO SERIES SAND FILTERS

S210S, S220S,  
S244S & S310S



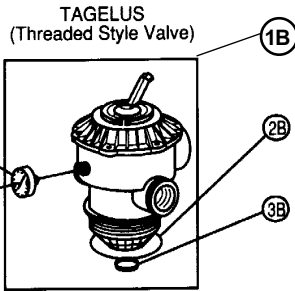
S200PAK3 System Base

KEY	MFG NO.	DESCRIPTION	ITEM NO.
23	ECX1291	Standard Pump/Filter Mounting Base	H6716*
24	SPX1480A	Union Ball End	H6718
25	SPX1480C	Union Nut	H6720
26	SPX1425Z6	O-Ring	H6722
27	SPX1485B3	Union Elbow with Compression Assembly	H6724
28	SPX1485G	Compression Gasket	H6727
29	ECX1161Z2	Mounting Screw Set w/Washers (2 needed)	H6544*
30	SPX1485DA	Compression Fitting with Gasket	H6235*

Complete Products on Page 111

PENTAIR (PAC-FAB) TAGELUS SAND FILTER

- TA 30D/ TA30
- TA 35D/ TA 35
- TA 40D/ TA 40
- TA 50D/ TA 50
- TA 60D/ TA 60
- TA 100D



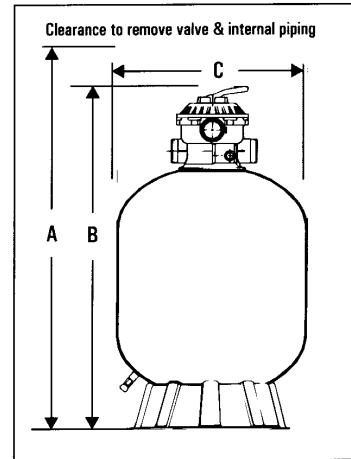
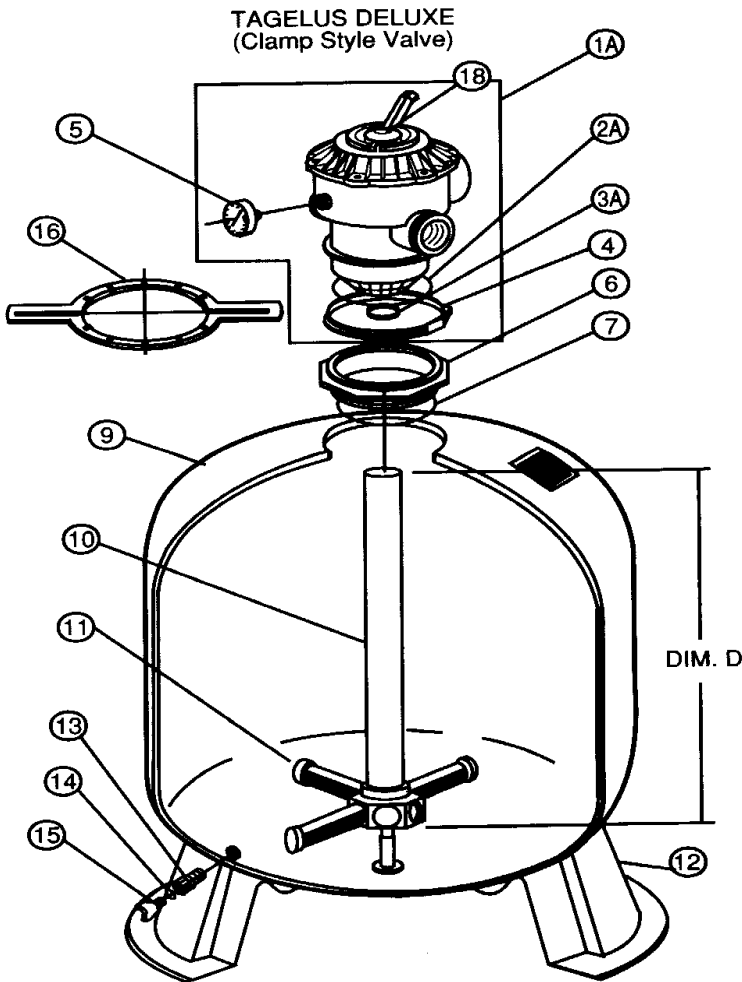
Also see valve section for additional parts



Detail A, (after 12/1/91)  
6 in. btr. Thread.



Detail B, (before 12/1/91)  
6 in. "V" Thread.



DIMENSION TABLE

MODEL	A. DIM.	B DIM.	C DIM.
TA 35D	37 ¼ in.	31 ½ in.	15 ½ in.
TA 40D	47 in.	37 in.	18 ¾ in.
TA 50D	51 ½ in.	38 ½ in.	21 ¼ in.
TA 60D	57 in.	41 ¼ in.	24 in.
TA 100D	65 ½ in.	47 ¼ in.	30 in.

KEY	MFG NO.	DESCRIPTION	ITEM NO.
1A	262506	Valve - 1-1/2" 6-Way Clamp Style (TA-30, TA35D thru TA-60D)	H4122
1A	261185	Valve - 2" 6-Way Clamp Sytle (TA-100D)	H4343
1B	261130	Valve - 1-1/2" 6-Way Buttress Threads (after 12-91) Black *(See Note 5)	H4121
1B	261124	Valve - 1-1/2" 6-Way "V" Type Threads (before 12-91) *(See Note 6)	H4120
1B	SP712-2	Valve - 1-1/2" (Hayward Brand) "V" Type Threads	H8002
2A	272541	O-Ring, Valve Body (TA-30D thru TA-60D models only)	H4344
2A	275333	O-Ring, Valve Body (TA-100D)	H4345
2B	154493	O-Ring, Valve Body (TA-30 thru TA-60 models only)	H4044

## PENTAIR (PAC-FAB) TAGELUS SAND FILTERS

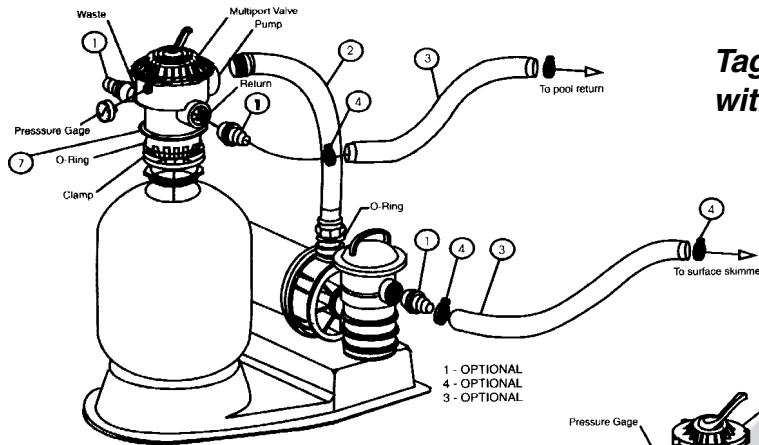
KEY	MFG NO.	DESCRIPTION	ITEM NO.
3A	355330	Standpipe O-Ring (TA-100D) <i>(See Note 1)</i>	K4631
3B	155064	Standpipe O-Ring (TA-30 thru TA-60 only) (Before 4-93 Only) <i>*(See Note 1)</i>	H4305
4	155526	Clamp, S.S., 6-1/2" (TA-30D thru TA-60D)	H4346*
4	152165	Clamp, Plastic, 6-1/2" Diameter (TA-30D thru TA-60D)	H4116
4	152130	Clamp, 8.35" Diameter (TA-100D)	H4347*
5	155050	Pressure Gauge, Back Mount	OBS
5	-----	Generic Pressure Gauge, Back Mount	H7010
6	154555	Adaptor 6" Buttress Threads (TA-30D thru TA-60D) (after 11-91) <i>*(See Notes 4 &amp; 7)</i>	H4348
6	155225	Adaptor 6" "V" Type Threads (TA-30D thru TA-60D) (before 11-91) <i>*(See Notes 4 &amp; 8)</i>	H4349
6	154521	Adaptor 8-1/2" Buttress Threads (TA-100D) <i>*(See Note 4)</i>	H4350*
7	154494	O-Ring, Square (TA30D thru TA-60D)	H4047
7	355619	O-Ring Valve Adaptor (TA-100D Only)	K4538
9	153445	Tank & Foot Assy w/ Valve Adaptor (TA-35D) <i>*(See Notes 2 &amp; 7)</i>	OBS
9	155276	Tank & Foot Assy w/ Valve Adaptor (TA-40D) <i>*(See Notes 2, 7 &amp; 8)</i>	H4354*
9	155279	Tank & Foot Assy w/ Valve Adaptor (TA-50D) <i>*(See Notes 2, 7 &amp; 8)</i>	H4355*
9	155269	Tank & Foot Assy w/ Valve Adaptor (TA-60D) <i>*(See Notes 2, 7 &amp; 8)</i>	H4356*
9	155324	Tank & Foot Assy w/ Valve Adaptor (TA-100D) <i>*(See Notes 2, 7 &amp; 8)</i>	H4357*
9	153450	Tank & Foot Assy - Buttress Thread Style (TA-35) <i>*(See Note 5)</i>	OBS
9	155342	Tank & Foot Assy - Buttress Thread Style (TA-40) <i>*(See Notes 5 &amp; 6)</i>	H4297*
9	155343	Tank & Foot Assy - Buttress Thread Style (TA-50) <i>*(See Notes 5 &amp; 6)</i>	H4298*
9	155344	Tank & Foot Assy - Buttress Thread Style (TA-60) <i>*(See Notes 5 &amp; 6)</i>	OBS
10	155060	Piping Assy w/ Hub (TA-30 & TA-30D) 12-7/8"	H4301
10	153455	Piping Assy w/ Hub (TA-35 & TA-35D)	H4386
10	155061	Piping Assy w/ Hub (TA-40 & TA-40D) 17-3/4"	H4302
10	155062	Piping Assy w/ Hub (TA-50 & TA-50D) 19-7/8"	H4303
10	155063	Piping Assy w/ Hub (TA-60 & TA-60D) 22-5/8"	H4304
10	155340	Piping Assy w/ Hub (TA-100D) 27-1/4"	H4362*
11	155007	Lateral (TA-30, TA-30D, TA-35 & TA-35D) 5-11/32" (8 req.)	H4294
11	152290	Lateral (TA-40 thru TA-60 & TA-40D thru TA-60D) 6-11/16" (8 req.)	H4062
11	152202	Lateral (TA-100D) 9-1/8" (8 req.)	H4206
12	154926	Tank Foot (TA-35 thru TA-60D & TA35D thru TA60D)	H4310*
12	154596	Tank Foot (TA-100D) <i>*(See Note 3)</i>	H4309*
13	154698	Drain Assembly - 3/4" (TA30) (after 1983)	H4311
13	154685	Drain Assembly - 1/2" (TA30D) (before 1983)	H4070
14	192115	O-Ring, Drain Plug 1/16" x 1/2" I.D.	H3274
15	154699	Drain Plug, 1/4" w/O-ring (after 1983)	H4312
16	154512	Wrench, 6-1/2" Across Flats (TA-30D, TA40D, TA50D & TA-60D)	H4046
16	151608	Wrench, 9" Across Flats (TA-100D)	H4365*
17	154402	Foot Mounting Tape - (TA-30 thru TA-60 & TA-30D thru TA-60D)	H4318
17	154407	Foot Mounting Tape (TA100D only)	H4319*

*\*(See Notes on Following Page)*

**PENTAIR (PAC-FAB) TAGELUS SAND FILTERS*****Special Notes***

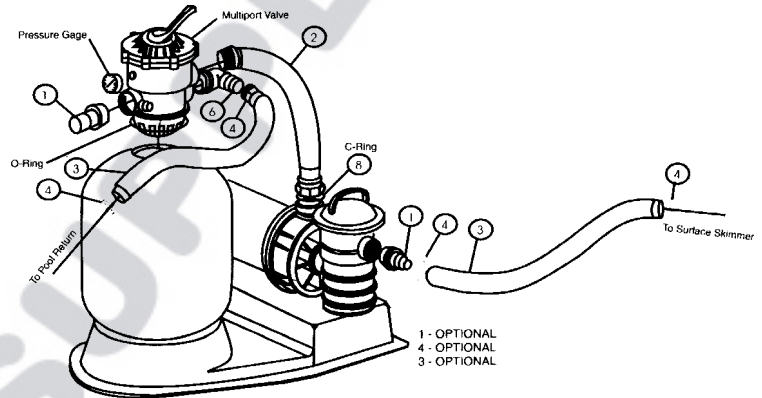
- Note 1:** Item 3A O-Ring - Standpipe is used on model TA100D Filters Only. Item 3B O-Ring - Standpipe is used on Tagelus Filter models TA30, 40, 50, 60 manufactured before April, 1993. Item 38 is not used on Tagelus Clamp Filter models TA30D, 35D, 40D, 50D, 60D or on any Tagelus models manufactured after April, 1993.
- Note 2:** Tagelus Clamp Filter models Tank & ft. assy. has valve adaptor. (Item 6 ) factory installed.
- Note 3:** Replacement of Tank ft. requires the use of Mounting Tape. See part number listed.
- Note 4:** Lubricate O-Ring liberally w/ Silicone lubricant and tighten to following spec: TA30D, 35D, 40D, 50D, 60D...Handtight plus 1/4 turn min. TA100D Handtight plus 3/4 turn min.
- Note 5:** Tagelus Filter Models TA30, 35, 40, 50, 60 manufactured after Nov. 1, 1991 were manufactured w/ a buttress thread top opening and utilize a buttress style valve which is black in color. A change was made to the port arrangement in April, 1993 which will require that minor changes be made to the valve plumbing connections when replacing valves on filters manufactured between Nov. '91 and Mar. '93.  
**DO NOT ATTEMPT TO INTERCHANGE THREAD TYPES!!**
- Note 6:** Tagelus Filter models TA30, 40, 50, 60 manufactured before Nov. 1, 1991 were manufactured w/ a "V" in. thread style valve that is white or brown in color. These valves may be replaced w/ "V" in. thread style valve P/N 26-1124, see Detail B.  
**DO NOT ATTEMPT TO INTERCHANGE THREAD TYPES!!**
- Note 7:** Tagelus Clamp Filter models TA30D, 35D, 40D, 50D, 60D manufactured after Nov. 1, 1991 were manufactured w/ a buttress thread top opening and utilize a buttress thread valve adaptor. P/N 15-4555, See detail A.  
**DO NOT ATTEMPT TO INTERCHANGE THREAD TYPES!!**
- Note 8:** Tagelus Clamp Filter models TA30D, 40D, 50D, 60D manufactured before Nov. 1, 1991 were manufactured w/ a "V" thread top opening and utilize a "V" thread valve adaptor. P/N 15-5225, see detail B.  
**DO NOT ATTEMPT TO INTERCHANGE THREAD TYPES!!**

**PENTAIR (PAC-FAB) TAGELUS FILTER SYSTEMS**



**Tagelus Sand System with Clamp Style Valve**

**Tagelus Sand System with Threaded Valve**



KEY	MFG. NO.	DESCRIPTION	ITEM NO.
1	711006	Hose Adapter, Tapered (3 needed)	H4142*
2	155285	PVC Hose w/ Quick Disconnect (TA-35D)	H4102
2	155278	PVC Hose w/ Quick Disconnect (TA40D)	H3046
2	155283	PVC Hose w/ Quick Disconnect (TS50D)	H4112*
3	155153	Flex Hose 1-1/2" x 6' (2 needed)	H4113*
4	711004	Hose Clamp 1-1/2" Wire Type (4 needed)	H4144*
5	-----	Teflon Tape	V1205
6	155223	Base - Elevated Platform	OBS
7	152165	Clamp TAD System	H4116

**WITH THREADED VALVE**

1	711006	Hose Adapter, Tapered (2 needed)	H4142*
2	155285	PVC Hose w/ Quick Disconnect (TA-35)	H4102
2	155278	PVC Hose w/ Quick Disconnect (TA400)	H3046
2	155283	PVC Hose w/ Quick Disconnect (TS50)	H4112*
3	155153	Flex Hose 1-1/2" x 6' (2 needed)	H4113*
4	155155	Hose Clamp 1-1/2" Wire Type (4 needed)	OBS
5	-----	Teflon Tape	V1205
6	155135	1-1/2" Elbow Adapter	OBS
7	155223	Base - Elevated Platform	OBS
8	354571	O-Ring	K4606

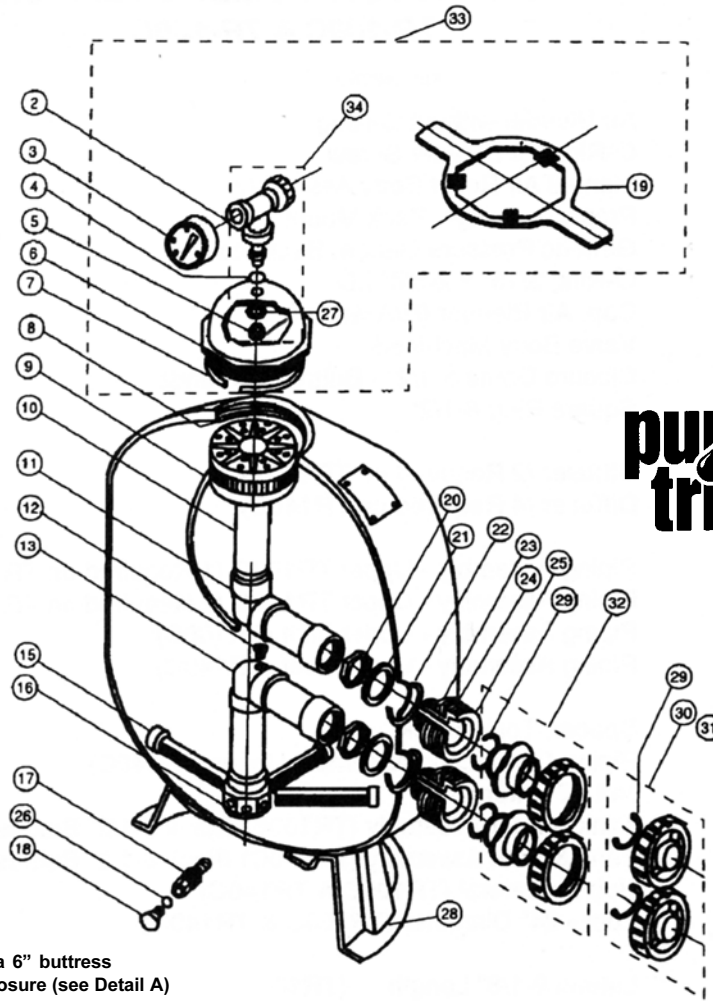
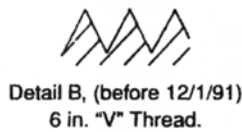
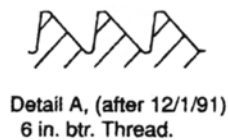
**PENTAIR (PAC-FAB) TRITON II SAND FILTERS**  
**TR-40, TR-50, TR-60, TR-100 & TR-140**

KEY	MFG NO.	DESCRIPTION	ITEM NO.
1	154689	Air Bleeder/Tee Assembly	H4314*
2	154700	Adaptor - Brass Air Bleeder	H4265
3	155050	Pressure Gauge - Back Mount	H7010
4	154661	O-Ring- Air Bleeder Adaptor	H4259
5	154664	Nut, 3/8" - 16 S.S.	H4261
6	154570	Dome Closure - 6" (Buttress Thread) Black (After 12/1/91)	H4045
6	154559	Dome Closure - 6" ("V" Type Thread) Black (Before 12/1/91)	H4043
7	154493	O-Ring for 6" Closure Dome	H4044
7	154495	O-Ring for 6" Closure Dome, White	OBS
8	154578	Strainer, Air Relief (Filters Before 11/1/99)	H4339
8	150035	Strainer, Air Relief (Filters After 11/1/99)	H4059
9	154435	Air Relief Tube (TR40) (Filters Before 11/1/99)	H4235
9	150039	Air Relief Tube (TR40) (Filters After 11/1/99)	H4307*
9	154436	Air Relief Tube (TR50 & TR60) (Filters Before 11/1/99)	H4236
9	150040	Air Relief Tube (TR50 & TR60) (Filters After 11/1/99)	H4317*
9	154437	Air Relief Tube (TR100) (Filters Before 11/1/99)	H4237
9	150041	Air Relief Tube (TR100) (Filters After 11/1/99)	H4359
9	154438	Air Relief Tube (TR140) (Filters Before 11/1/99)	H4238
9	150042	Air Relief Tube (TR140) (Filter After 11/1/99)	H4360*
10	154598	Diffuser Assembly (TR40 & TR50)	H4255
10	154599	Diffuser Assembly (TR60)	H4256
10	154462	Diffuser Assembly (TR100)	H4241
10	154906	Diffuser Assembly (TR140)	H4287
11	154803	Upper Piping Assembly (TR40)	H4281
11	156814	Upper Piping Assembly (TR50)	H4202*
11	154533	Upper Piping Assembly (TR60)	H4249
11	154426	Upper Piping Assembly (TR100)	H4234
11	154500	Upper Piping Assembly (TR140)	H4247
12	154440	Connector - Air Relief Tube (Filters Built Before 2/89)	H4239
12	154421	Connector - Air Relief Tube (After 2/89 & Before 11/99)	H4208*
12	150036	Connector - Air Relief Tube (Filters Built After 11/1/99)	H4361
13	154801	Lower Piping Assembly (TR40)	H4280
13	156816	Lower Piping Assembly (TR50)	H4278*
13	154805	Lower Piping Assembly (TR60)	H4282
13	154807	Lower Piping Assembly (TR100)	H4283
13	154489	Lower Piping Assembly (TR140)	H4244
15	152290	Lateral, 6-11/16" Length (TR40, TR50 & TR60) 8 needed	H4062
15	152202	Lateral, 9-1/8" Length (TR100) - (Current) "	H4206
15	159560	Lateral, 6-1/2" Length (TR100) - (Prior to 1985) "	H4066
15	154540	Lateral, 12" Length (TR140) "	H4068
16	154763	Hub for Lateral (TR40, TR50 & TR60)	H4060
16	154453	Hub for Lateral (TR100 & TR140)	H4064
17	152220	Sand Drain 2" (Current)	H4335
17	154698	Spigot 3/4" - Sand Drain (After 3/83 Thru 3/96)	H4311
17	154685	Spigot 1/2" - Sand Drain (Filters Built Before 3/83)	H4070
18	154871	Cap Threaded 1-1/2" (Current)	H4336*
18	154699	Plug for Drain 1/4" - (After 3/83 Thru 3/96)	H4312
18	154481	Plug for Drain 1/4" (Filters Built Before 3/83)	H4243
19	154512	Wrench - Closure 6"	H4046
19	154510	Wrench - Closure, Aluminum	H4213
20	154412	Locknut - 2" Internal	H4230
21	154416	Spacer - 2" Internal	H4233
22	154492	O-Ring - 2" Bulkhead	H4246

## PENTAIR (PAC-FAB) TRITON II SAND FILTERS

Complete Product on Page 110

**TR-40**  
**TR-50**  
**TR-60**  
**TR-100**  
**TR-140**



**purex**  
**triton**

Filters manufactured after Dec. 1, 1991 utilize a 6" buttress thread in the filter tank top opening & on the closure (see Detail A)

Filters manufactured before Dec. 1, 1991 utilize a 6" "V" type thread (see Detail B)

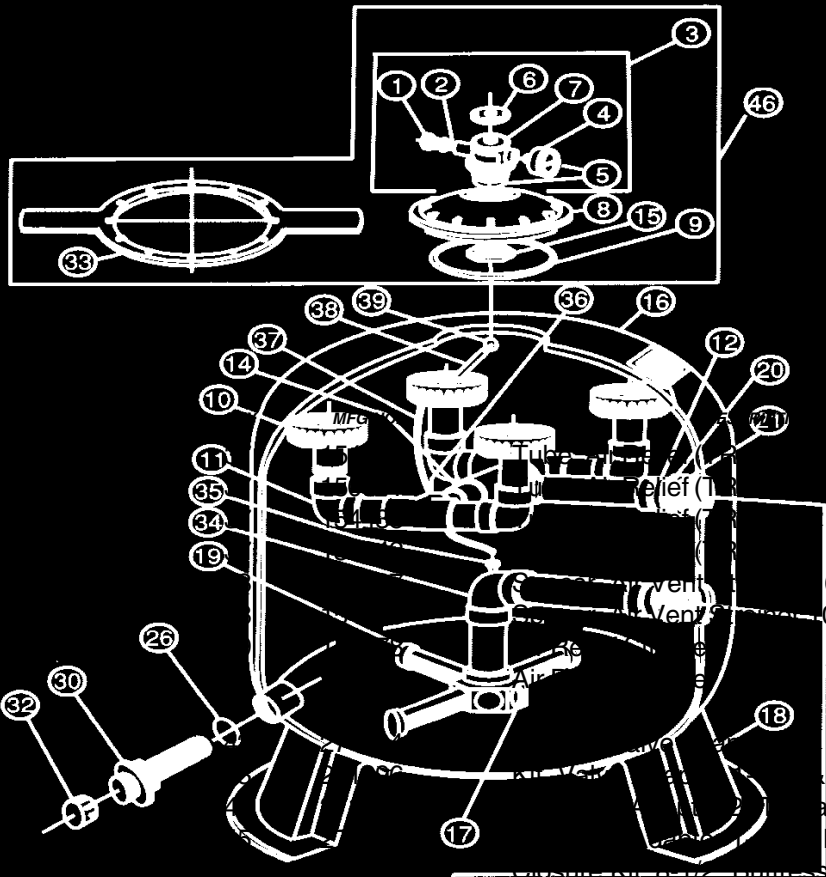
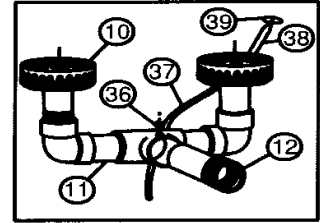
KEY	MFG NO.	DESCRIPTION	ITEM NO.
23	154408	Spacer - 2" External	H4228
24	154538	Gasket - 2" Bulkhead	H4250
25	154405	Bulkhead - 2"	H4226
---	154714	Complete 2" Bulkhead Assembly - Triton	H4266
26	154492	O-Ring 3/16" x 2-5/8" I.D.	H4246
26	192115	O-Ring for Drain Plug (Filters Built After 3/83)	H3274
27	154418	Washer 3/8" S.S.	H4269
28	154926	Foot - 16" Diameter (TR-40 & TR-50) Requires Mounting Tape	H4310*
28	154520	Foot - 19" Diameter (TR-60)	H4214*
28	154596	Foot - 24" Diameter (TR-100 & TR-140)	H4309*
---	154402	Foot Mounting Tape (TR-40, TR-50 & TR-60)	H4318
---	154407	Foot Mounting Tape (TR-100 & TR-140)	H4319*
29	274494	O-Ring, Valve Adapter (2 needed)	H3371
30	271092	Kit, Valve Adaptor 2" Threaded - Pair	H4041
31	271094	Kit, Valve Adaptor 1-1/2" Threaded - Pair	H4039*
32	271096	Kit, Valve Adapter 1-1/2" & 2" Slip - Pair	H4040
33	154641	Closure Kit 6" (Buttress Thread) Black	H4218
33	154697	Closure Kit 6" ("V" Type Thread)	H4264
34	154687	Bleeder Valve Assembly - Complete (#1, #2, #4, #5 & #27)	H4050
---	151602	Bulkhead Wrench - 2"	H4201
---	272044	Clear Vacuum Relief Valve	H4221

**PENTAIR (PAC-FAB) TRITON COMERCIAL FILTERS**  
**TR-100C & TR-140C**

KEY	MFG NO.	DESCRIPTION	ITEM NO.
1	273512	Air Bleeder without O-Ring	H4222
2	273513	O-Ring Air Bleeder Screw	H4223
3	273564	Manual Air Relief Body Assembly	H4242
4	155050	Pressure Gauge, Back Mount	OBS
4	-----	Generic Pressure Gauge, Back Mount	H7010
5	274494	O-Ring 3/16" x 2-5/8" I.D.	H3371
6	273501	Cap, Air Bleeder (N/A when out)	H4273*
7	273564	Valve Body Machined	H4242
8	154575	Closure Dome 8-1/2" - Buttress Threads	H4277
9	152509	Square Ring 8-1/2"	H4291
10	154599	Diffuser (2 Required on TR100C)	H4256
10	154599	Diffuser (4 Required on TR140C)	H4256
11	156355	Piping Assembly - Upper TR100C (1 Required on TR100C)	H4292
11	156355	Piping Assembly - Upper TR140C (2 Required on TR140C)	H4292
12	156344	Piping Assembly - Upper Inlet (TR100C)	H4295
12	156345	Piping Assembly - Upper Inlet (TR140C)	OBS
13	273502	Spacer, Top - Black	H4321
14	156354	Piping Connecting Assembly Upper (TR140C)	H4329*
15	194908	Nut - 2" Internal	H3162*
16	153430	Tank & Foot Assembly (TR100C) Black 8-1/2" Buttress Thrds	H4332*
16	153431	Tank & Foot Assembly (TR140C) Black 8-1/2" Buttress Thrds	H4333*
17	154453	Hub for Lateral (TR100C & TR140C)	H4064
18	154596	Foot - 24" Diameter (TR100C & TR140C)	H4309*
19	152202	Lateral 9-1/8" Length (TR100C) 8 needed	H4206
19	154540	Lateral 12" Length (TR140C) 8 needed	H4068
20	154412	Locknut - 2" Internal	H4230
21	154416	Spacer - 2" Internal	H4233
22	154492	O-Ring - 2" Bulkhead	H4246
23	154408	Spacer - 2" External	H4228
24	154538	Gasket - 2" Bulkhead	H4250
25	154405	Bulkhead - 2"	H4226
--	154714	Complete Bulkhead Assembly - 2"	H4266
26	154492	O-Ring 3/16" x 2-5/8" I.D.	H4246
27	192320	O-Ring, Drain Bulkhead	H3141
28	194801	Drain Bulkhead - 2-3/8" Buttress	H4334
30	152220	2" Sand Drain	H4335
31	274407	Nut, Drain Bulkhead Adapter	H3369
32	154871	Cap - Threaded 1-1/2"	H4336*
33	154527	Wrench for 8-1/2" Closure Dome	H4337
34	154807	Lower Piping Assembly (TR100C)	H4283
34	154489	Lower Piping Assembly (TR140C)	H4244
35	154421	Connector for Air Relief Tube	(Filters Before 11/1/99) H4208*
35	150036	Connector for Air Relief Tube	(Filters After 11/1/99) H8896*
36	273071	Screw (1 Required for TR100C) (2 Required for TR140C)	H3343

PENTAIR (PAC-FAB) TRITON COMMERCIAL FILTER  
TR-100C & TR-140C

Complete Product on Page 110



Sand Filters

	ITEM NO.
...s Before 11/1/99)	H4237
...s After 11/1/99)	H4359
...s Before 11/1/99)	H4238
...s After 11/1/99)	H4360*
	H4338*
	H4038*
...s Before 11/1/99)	H4339
...s After 11/1/99)	H4059
	H3371
air	H4040
	H4041
	H4039*
Black	H4342

UPPER PIPING SHOWN IN ISOMETRIC TANK VIEW TR-140C

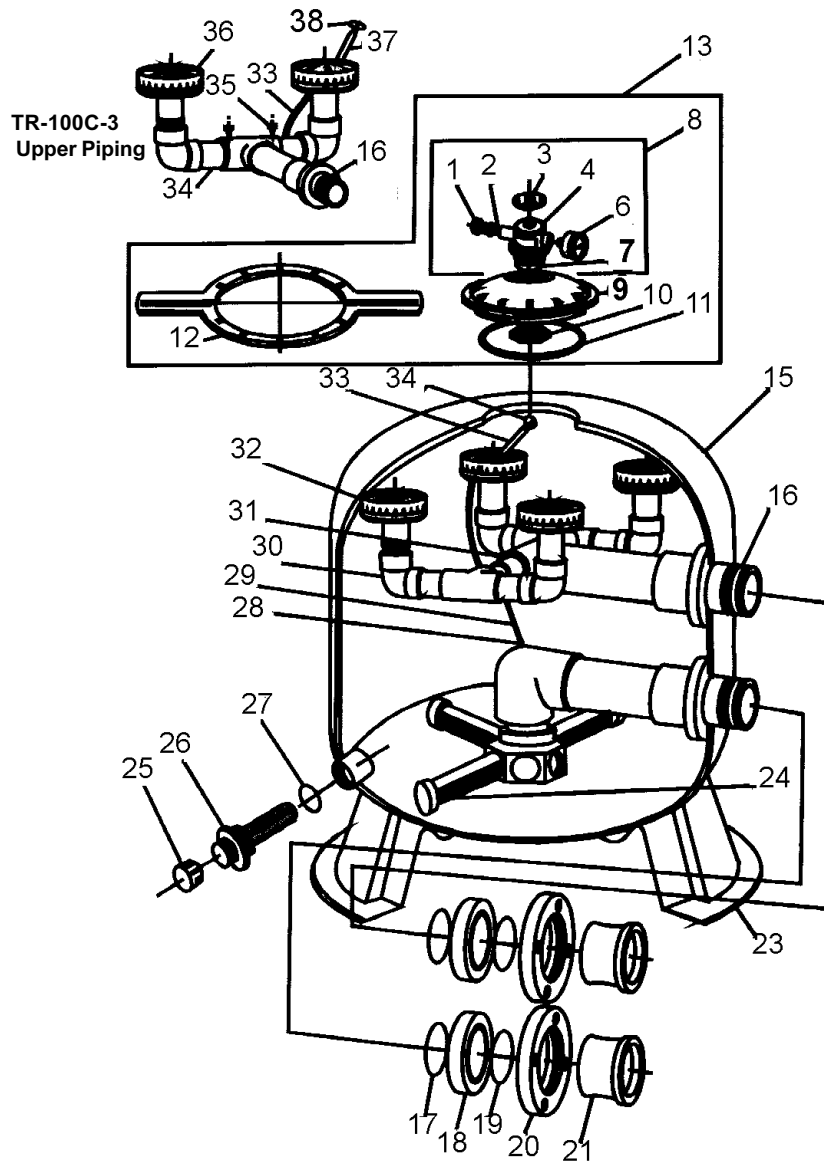


**PENTAIR (PAC-FAB) TRITON C-3 COMMERCIAL FILTERS**  
**TR-100C-3 & TR-140C-3**

KEY	MFG NO.	DESCRIPTION	ITEM NO.
1	273512	Air Bleeder w/ O-Ring	H4222
2	273513	O-Ring, Air Bleeder Screw	H4223
3	273501	Cap Only for Manual Air Relief Assembly	H4273*
4	273564	Body Only for Manual Air Relief Assembly	H4242
6	155050	Pressure Guage, Back Mounted	OBS
6	-----	Pressure Guage, Back Mounted, Generic	H7010
7	274494	O-Ring, Manual Air Relief Assy., 3/16" x 2-5/8"	H3371
8	273564	Manual Air Relief Assembly	H4242
9	154575	Filter Dome - 8-1/2"	H4277
10	154412	2" Internal Nut	H4230
11	152509	Square Ring for Filter Dome	H4291
12	154527	Closure Wrench, 8-1/2"	H4337
13	154856	Closure Kit, 8-1/2" Buttress Thread	H4342
15	153430	Tank and Foot Assembly for TR100C-3	H4004*
15	153431	Tank and Foot Assembly for TR140C-3	H4007*
16	154007	Upper Piping Assembly for TR100C-3	H4021
16	154008	Upper Piping Assembly for TR140C-3	H4022
17	154005	O-Ring, (2 Needed)	H4023
18	154002	3" Spacer (2 Needed)	H4024
19	154004	O-Ring, (2 Needed)	H4026
20	154003	3" Flange Ring (2 Needed)	H4027
21	154001	3" Flange Adapter (2 Needed)	H4028
22	154009	Lower Piping Assembly for TR100C-3	H4029
22	154010	Lower Piping Assembly for TR140C-3	H4033*
23	154596	24" Foot for TR100C-3 & TR140C-3	H4309*
24	152202	Lateral, 9" Length for TR100C-3 (8 Needed)	H4206
24	154540	Lateral, 12" Length for TR140C-3 (8 Needed)	H4068
25	154871	Threaded Cap, 1-1/2"	H4336*
26	152220	Sand Drain, 2"	H4335
27	274494	O-Ring, 3/16" x 2-5/8" (2 Needed)	H3371
28	154440	Air Relief Tube Connector	H4239
29	154437	Air Relief Tube, 23" for TR100C-3	H4237
29	154438	Air Relief Tube, 27" for TR140C-3	H4238
30	154017	Diffuser Piping Assembly for TR100C-3 (2 Needed)	OBS
30	154018	Diffuser Piping Assembly for TR140C-3 (2 Needed)	H4036*
31	552474	Screw, #10 - 1-1/2" Flat Philips Head (2 Needed)	OBS
32	154599	Diffuser (2 Required on TR100C-3)	H4256
32	154599	Diffuser (4 Required on TR140C-3)	H4256
33	154507	Spacer, 6-3/4" for TR100C-3	H4037*
33	154508	Spacer, 10-5/16" for TR140C-3	H4038*
34	154578	Air Relief Strainer	H4339

**PENTAIR (PAC-FAB) TRITON C-3 COMMERCIAL FILTERS**  
*TR-100C-3 & TR-140C-3*

Complete  
Product on  
Page 110



**purex  
triton**

Sand Filters

**PENTAIR (PAC-FAB) TRITON C-3 COMMERCIAL FILTERS**  
*Oval Closure Kit & Components*

MFG NO.	DESCRIPTION	ITEM NO.
53003201	Pressure Gauge, 1/4"	H7000
154581	Knob for Triton C-3 Tank	H4056
154582	Spring	H4057*
154579	Bridge	H4058*
273512	Air Bleeder with O-Ring	H4222
154576	Oval Closure	H4055
152509	Square Ring 8-1/2" for Closure	H4291
156841	Complete C-3 Closure Kit - Oval	H4048

