

MOTOR COMPARISON

Compare our standard motors with the E-Plus Energy Efficient "1081" pumps that we stock. Your initial cost is slightly higher but they will end up costing less with reduced energy costs in less than a single season!

A.O. Smith Full Rated Replacement Motor Comparison Sheet - C-face, Threaded Shaft Motors.

Fits Super Pump, Super II, Jacuzzi, Magnum, Argonaut & Baker Hydro Pumps.

Standard Motors vs. E-Plus Energy Efficient "1081" pumps - Under the Efficiency Column we are comparing the standard pump to the more efficient E-Plus pump. The percent shows how much more efficient the E-Plus is than the standard model. Remember, a more efficient pump means lower energy costs:

HP	Volts	Max Amps	Service Factor	Mfg. #	Efficiency	Item#
1/2	115 / 230	11.0 / 5.5	1.6	ST1052	Standard	K5031
1/2	115 / 208-230	7.4 / 4.0-3.7	1.6	B657	38% More Eff.	K5031E
3/4	115 / 230	15.0 / 7.5	1.5	ST1072	Standard	K5032
3/4	115 / 208-230	10.0 / 5.4-5.0	1.5	B638	34% More Eff.	K5032E
1	115 / 230	18.6 / 9.3	1.5	ST1102	Standard	K5034
1	115 / 208-230	11.8 / 6.4 - 5.9	1.4	B654	37% More Eff.	K5034E
1 1/2	115 / 230	19.4 / 9.7	1.3	ST1152	Standard	K5036
1 1/2	115 / 208-230	15.6 / 8.7 - 7.8	1.3	B796	20% More Eff.	K5036E
2	230	11.2	1.3	ST1202	Standard	K5038
2	208-230	10.4 - 9.6	1.2	B809	15% More Eff.	K5038E
3	230	14.4	1.15	ST1302	Standard	K5040
3	208-230	15.0 / 13.6	1.15	B818	8% More Eff.	K5040E

A.O. Smith Up-Rated Replacement motor comparison sheet - Square Flange Motors

Standard Motors vs. E-Plus Energy Efficient "1081". Fits: Challenger, Dura-Glas, Cygnet, Pinnacle & Ultra Flo.

HP	Volts	Max Amps	Service Factor	Mfg. #	Efficiency	Item#
3/4	115 / 230	14.8 / 7.4	1.27	USQ1072	Standard	K5019
3/4	115 / 208-230	8.8 / 4.5 - 4.4	1.25	B862SE	40% More Eff.	K5019E
1	115 / 230	14.8 / 7.4	1.25	USQ1102	Standard	K5021
1	115 / 208-230	11.2 / 6.0 - 5.6	1.25	B863SE	25% More Eff.	K5021E
1 1/2	115 / 230	19.2 / 9.6	1.10	USQ1152	Standard	K5023
1 1/2	115 / 208-230	14.8 / 7.8 - 7.4	1.10	B864SE	33% More Eff.	K5023E
2	115 / 230	10.4	1.10	USA1202	Standard	K5025
2	208 - 230	9.6 - 8.8	1.10	B865SE	12% More Eff.	K5025E
2 1/2	230	11.2	1.0	USQ1252	Standard	K5027
2 1/2	208 - 230	11.0 - 10.0	1.04	B866SE	12% More Eff.	K5027E

THREADED SHAFT NEMA "C" MOTORS (FULL RATED)

A. O. SMITH



*Fits: Super Pump
Super II, J-Series,
Magnum, Argonaut &
Baker Hydro Pumps*

HP	VOLTS	DESCRIPTION	MFG. NO.	ITEM NO.
1/2 HP	115/230V	Threaded Shaft Nema "C" Motor	ST1052	K5031
3/4 HP	115/230V	Threaded Shaft Nema "C" Motor	ST1072	K5032
1 HP	115/230V	Threaded Shaft Nema "C" Motor	ST1102	K5034
1 1/2 HP	115/230V	Threaded Shaft Nema "C" Motor	ST1152	K5036
2 HP	230V	Threaded Shaft Nema "C" Motor	ST1202	K5038
3 HP	230V	Threaded Shaft Nema "C" Motor	ST1302	K5040

2 HP	208-230V/460	Threaded Shaft (3-Phase) Motor	T3202	K5039
3 HP	230/460V	Threaded Shaft (3-Phase) Motor	T3302	K5042

1/2 HP	115/208-230V	Threaded-Shaft Full-Rated Motor	B657	K5031E
3/4 HP	115/208-230V	Threaded-Shaft Full-Rated Motor	B638	K5032E
1 HP	208-230V/115	Threaded-Shaft Full-Rated Motor	B654	K5034E
1 1/2 HP	208-230V/115	Threaded-Shaft Full-Rated Motor	B796	K5036E
2 HP	208-230V	Threaded-Shaft Full-Rated Motor	B809	K5038E
3 HP	208-230V	Threaded-Shaft Full-Rated Motor	B818	K5040E

MagneTek



1/2 HP	115/230V	Threaded Shaft Nema "C" Motor	B126	K5031C
3/4 HP	115/230V	Threaded Shaft Nema "C" Motor	B127	K5032C
1 HP	115/230V	Threaded Shaft Nema "C" Motor	B128	K5034C
1 1/2 HP	115/230V	Threaded Shaft Nema "C" Motor	B129	K5036C
2 HP	230V	Threaded Shaft Nema "C" Motor	B130	K5038C
2 HP	280-230/460	Threaded Shaft Nema "C" Motor	B733	K5039C
3 HP	230V	Threaded Shaft Nema "C" Motor	B131	K5040C

KEYED SHAFT NEMA "C" MOTORS (FULL RATED)

A.O. SMITH



*Fits: Sta-Rite
Bronze, PacFab
Hydro Pump &
Old Style Anthony*

1/2 HP	115/230V	Keyed Shaft Nema "C" Motor	SK1052	K5000
3/4 HP	115/230V	Keyed Shaft Nema "C" Motor	SK1072	K5002
1 HP	115/230V	Keyed Shaft Nema "C" Motor	SK1102	K5004
1 1/2 HP	115/230V	Keyed Shaft Nema "C" Motor	SK1152	K5006
2 HP	230V	Keyed Shaft Nema "C" Motor	SK1202	K5008
3 HP	230V	Keyed Shaft Nema "C" Motor	SK1302	K5010

2 HP	208-220/440V	Keyed Shaft (3 Phase) Motor	K3202	K5009
3 HP	208-220/440V	Keyed Shaft (3 Phase) Motor	K3302	K5012

1/2 HP	115/230V	Keyed Shaft Nema "C" Motor	B120	K5000C
3/4 HP	115/230V	Keyed Shaft Nema "C" Motor	B121	K5002C
1 HP	115/230V	Keyed Shaft Nema "C" Motor	B122	K5004C
1 1/2 HP	115/230V	Keyed Shaft Nema "C" Motor	B123	K5006C
2 HP	230V	Keyed Shaft Nema "C" Motor	B124	K5008C
3 HP	208-230/460V	Keyed Shaft (3 Phase) Motor	H740	K5012C

MagneTek



3/4 HP	115V	2-Speed Keyed Shaft Motor	B972	K5060C
1 HP	230V	2-Speed Keyed Shaft Motor	B974	K5062C
1 1/2 HP	230V	2-Speed Keyed Shaft Motor	B976	K5063C

TWO-SPEED THREADED SHAFT NEMA "C" MOTORS

A. O. SMITH

HP	VOLTS	DESCRIPTION	MFG. NO.	ITEM NO.
3/4 HP	230V	2-Speed Threaded Shaft Motor	STS1072R	K5071
1 HP	230V	2-Speed Threaded Shaft Motor	STS1102R	K5072
1 1/2 HP	230V	2-Speed Threaded Shaft Motor	STS1152R	K5073
2 HP	230V	2-Speed Threaded Shaft Motor	STS1202R	K5033

Magnetek

3/4 HP	115V	2-Speed Threaded Shaft Motor	B973	K5070C
1 HP	230V	2-Speed Threaded Shaft Motor	B975	K5072C
1 1/2 HP	230V	2-Speed Threaded Shaft Motor	B977	K5073C
2 HP	230V	2-Speed Threaded Shaft Motor	B979	K5033C



E-MOD MOTORS (FULL RATED)

SVRS (Safety Vacuum Release System) Built into motor. Meets ASME standard for suction.



1 HP	115/230V	Flanged Magnetek Motor	BE848	K5024M
2 HP	230V	Flanged Magnetek Motor	BE855	K5025M
1 HP	115/230V	Threaded Shaft Magnetek Motor	BE128	K5034M
1 1/2 HP	115/230V	Threaded Shaft Magnetek Motor	BE129	K5036M

SQUARE FLANGE MOTORS (FULL RATED)

A.O SMITH



1/2 HP	115/230V	Square Flange Pool Motor	SQ1052	K5020
3/4 HP	115/230V	Square Flange Pool Motor	SQ1072	K5022
1 HP	115/230V	Square Flange Pool Motor	SQ1102	K5024
1 1/2 HP	230V	Square Flange Pool Motor	SQ1152	K5026
2 HP	230V	Square Flange Pool Motor	SQ1202	K5028
3 HP	230V	Square Flange Pool Motor	SQ1302	K5018

Magnetek



2 HP	230/460V	Square Flange (3-Phase) Motor	Q3202	K5029
3 HP	230/460V	Square Flange (3-Phase) Motor	Q3302	K5037
1/2 HP	115/230V	Square Flange Pool Motor	B846	K5020C
3/4 HP	115/230V	Square Flange Pool Motor	B847	K5022C
1 HP	115/230V	Square Flange Pool Motor	B848	K5024C
1 1/2 HP	230V	Square Flange Pool Motor	B849	K5026C
2 HP	230V	Square Flange Pool Motor	B748	K5028C
3 HP	230V	Square Flange Pool Motor E.E	B844	K5018C
5 HP	208-230V	Square Flange Pool Motor	355705	K4689
2 HP	208-230/460V	Square Flange (3-Phase) Motor	H637	K5029C
3 HP	208-230/460V	Square Flange (3-Phase) Motor	H755	K5037C
5 HP	208-230/460V	Square Flange (3 Phase) Motor	355704	K4687
3 HP	208-230/460V	Square Flange (3-Phase) Motor	H994	K4688

For Pentair Challenger

SQUARE FLANGE MOTORS (UP-RATED)

A.O SMITH

*Fits: Challenger
Dura-Glas, Cygnet
Pinnacle & Ultra Flo*



HP	VOLTS	DESCRIPTION	MFG.NO.	ITEM NO.
3/4 HP	115/230V	Square Flange Up-Rated Motor	USQ1072	K5019
1 HP	115/230V	Square Flange Up-Rated Motor	USQ1102	K5021
1 1/2 HP	230V	Square Flange Up-Rated Motor	USQ1152	K5023
2 HP	230V	Square Flange Up-Rated Motor	USQ1202	K5025
2 1/2 HP	230V	Square Flange Up-Rated Motor	USQ1252	K5027
3/4 HP	208-230V/115	Square Flange Up-Rated Motor	B862SE	K5019E
1 HP	208-230V/115	Square Flange Up-Rated Motor	B863SE	K5021E
1 1/2 HP	208-230V/115	Square Flange Up-Rated Motor	B864SE	K5023E
2 HP	208-230V	Square Flange Up-Rated Motor	B865SE	K5025E
2 1/2 HP	208-230V	Square Flange Up-Rated Motor	B866SE	K5027E
3/4 HP	115/230V	Square Flange Up-Rated Motor	B852	K5019C
1 HP	115/230V	Square Flange Up-Rated Motor	B853	K5021C
1 1/2 HP	230V	Square Flange Up-Rated Motor	B854	K5023C
2 HP	230V	Square Flange Up-Rated Motor	B855	K5025C
2 1/2 HP	230V	Square Flange Up-Rated Motor	B840	K5027C

A.O SMITH



TWO SPEED FLANGED MOTORS

3/4 HP	230V	2-Speed Square Flange Motor	SQS1072R	K5081
1 HP	230V	2-Speed Square Flange Motor	SQS1102R	K5082
1 1/2 HP	230V	2-Speed Square Flange Motor	SQS1152R	K5083
2 HP	230V	2-Speed Square Flange Motor	UQS1202R	K5085
3/4 HP	230V	2-Speed Square Flange Motor	B980	K5080C
3/4 HP	115V	2-Speed Square Flange Motor	B981	K5081C
1 HP	230V	2-Speed Square Flange Motor	B982	K5082C
1 1/2 HP	230V	2-Speed Square Flange Motor	B983	K5083C
2 HP	230V	2-Speed Square Flange Motor	B984	K5085C

POOL MOTORS



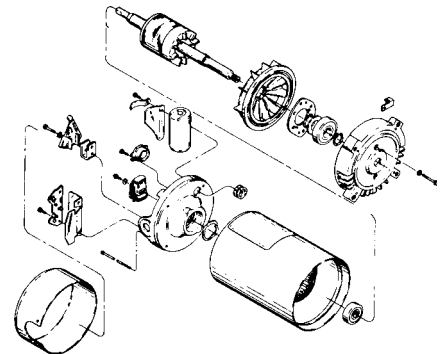
3/4 HP	115/230V	Polaris Vac-Sweep Motor (Polaris)	P61	E2P61
3/4 HP	115/230V	Pool Sweep Motor - Vertical Mount	SPS1052	K5050*
3/4 HP	115/230V	Pool Sweep Motor - Horizontal Mount	RPS1052	K5052
3/4 HP	115/230V	Magnetek Horizontal Threaded Motor	B662	K5052C
3/4 HP	115/230V	Letro Horizontal Threaded Motor	B668	K5064C

Total Horsepower X Service Factor of replacement motor must be equal to or greater than that of the original motor being replaced.

**Non-Stock Item
add Freight*

MISC. MOTOR PARTS

A.O Smith Toggle Switch for Matrix Motor	K5110
Terminal Board #6100801	K5112
Governor (All Motors) #601079-1	K5116
Protector for 1 HP #614246-009	K5118
Protector #611123-4	K5120
Switch Kit #608442-1	K5122
A. O. Smith 2-Speed Switch #620035	K5125
Century Switch #157681-01	K5160
Century Stationary Switch #SCN-486	K5136
Franklin Stationary Switch #SKF-6	K5132
GE 2-Speed Switch #114A842AD1	K5128



ABOVE GROUND POOL & SPA MOTORS (FULL RATED)



Fits: Maxim
Dynamo, Power-Flo
& Aqua Flo Pumps



HP	VOLTS	DESCRIPTION	MFG NO.	ITEM NO.
1/2	115V	Thru-Bolt Pump Mount Motor	BN23SS	K4272C
3/4	115V	Thru-Bolt Pump Mount Motor	BN24SS	K4246C
1	115V	Thru-Bolt Pump Mount Motor	BN25SS	K4254C
1 1/2	115/230V	Thru-Bolt Pump Mount Motor	BN35SS	K4261C
2	115/230V	Thru-Bolt Pump Mount Motor	BN40SS	K4267C

2-SPEED POOL & SPA MOTORS

3/4	115V	2-Speed Thru-Bolt Mount Motor	BN36	K5055C
1	115V	2-Speed Thru-Bolt Mount Motor	BN37	K5056C
1 1/2	115V	2-Speed Thru-Bolt Mount Motor	BN50	K5057C
1 1/2	230V	2-Speed Thru-bolt Mount Motor	BN34	K5058C
2	230V	2-Speed Thru-Bolt Mount Motor	BN51	K5059C
2 1/2	230V	2-Speed Thru-Bolt Mount Motor	SDS1252	K5061
1	115V	2-Speed Low Amp Start & Run	BN38	K5035C

A.O. SMITH

5	230v	Motor 1800 RM 1 Phase	P317	K9483
---	------	-----------------------	------	-------

+Limited Stock

HAYWARD MATRIX PUMP (NON-STOCK)



3/4	HP	Motor w/ on-off Switch		K5055
1	HP	Motor w/ on-off Switch		K5056

HAYWARD NORTHSTAR

1	HP	Motor Up-rated	USN-1102	K5086C
1 1/2	HP	Motor Up-rated	USN-1152	K5087C
2	HP	Motor Up-rated	USN-1202	K5088C
2 1/2	HP	Motor Up-rated	USN-1252	K5089C
3	HP	Motor Up-rated	USN-1302	K5090C

MARLOW

5	HP	230V	Motor 1 Phase	for 3B-EC-C2	P140	K9478
7 1/2	HP	230V	Motor 1 Phase	for 3B-EC-C2	P318	K9479
5	HP208-230/460		Motor 3 Phase	for 3B-EC-C2	N209	K9481
7 1/2	HP208-230/460		Motor 3 Phase	for 3B-EC-C2	N342	K9482

CAPACITORS



#36-43	Capacitor	K5201
#64-77	Capacitor	K5202
#124	Capacitor	K5200
#189-227	Capacitor	K5203
#161	Capacitor	K5205
#189	Capacitor	K5210
#216	Capacitor	K5212
#243	Capacitor	K5215
#270	Capacitor	K5220
#370 (25 uf)	Capacitor	K5164
#370 (30 uf)	Capacitor	K5166
#370 (35 uf)	Capacitor	K5168
#370 (50 uf)	Capacitor	K5162

MOTOR BEARINGS

#202 Motor Bearing	K5300
#203 Motor Bearing	K5305
#204 Motor Bearing	K5310
#205 Motor Bearing	K5312
#206 Motor Bearing	K5314
#207 Motor Bearing	K5325
#303 Motor Bearing	K5315
#304 Motor Bearing	K5320
Motor Cover (Blue)	K5138
Motor Cover (Brown)	K5139
Electric Motor Cleaner	K5142
Electrical Tape - Roll	K5140

COMMERCIAL PUMP MOTORS

ITEM NO.	HP	PHASE	VOLT	MFG. NO.
K9478	5	1	230	3B-EC2 P231
K9479	7-1/2	1	230	3B32EC-C2-1 P318
K9481	5	3	208-230/460V	3B-EC-C2 E296
K9482	7-1/2	3	200/208	CM-50 W285
K9483	5	1	230	P317
H9454	5	1	230V	C-Series V214
H9455	5	3	220/440V	C-Series R237
H9456	7-1/2	3	220/440V	C-Series R232
H9457	10	3	220/440V	C-Series R338
H9458	15	3	220/440V	C-Series R339
H9459	20	3	220/440V	C-Series R346



PENTAIR BRONZE C-SERIES REPLACEMENT MOTORS

K9454*	5	1	230V	71366
K9455	5	3	208/220/440V	71364
K9456	7-1/2	3	208/220/440V	71365
K9457	10	3	208/220/440V	71363
K9459	20	3	208/220/440V	71362

