

## BLUE WHITE PERISTALTIC INJECTOR PUMPS A-100 FLEXFLO PUMP

Solid-state feed control & chemical resistant all-plastic housing. A-100 units have an integral 60 second feed controller. Dual running lights indicate when the unit is energized, and when it is in the running portion of the time cycle.



GALLONS PER DAY	MODEL NO.	DESCRIPTION	ITEM NO.
6	114-4	Blue-White Chlorinator	1/4" Tubing C1019+
22	114-6	Blue-White Chlorinator	3/8" Tubing C1020+

+Limited Stock

+A-100 series pumps have been discontinued - Limited Supply Available

### Parts for A-100 Chlorinators



Injection Check Valve

A-014HD-4A	Anti-Syphon 1/4" Injection Check Valve (Heavy Duty)	C1411
A-014HD-6A	Anti-Syphon 3/8" Injection Check Valve (Heavy Duty)	C1407

Threadless  
Injector Fitting



Foot Valve/Strainer

A-002-4	Pump Tubing Assembly	1/4"	C1401
A-002-6	Pump Tubing Assembly	3/8"	C1400
A-002-7	Pump Tubing Assembly	7/16"	C1418
A-002-6N	Neoprene Tubing Assembly	3/8"	C1410
A-002-7N	Neoprene Tubing Assembly	7/16"	C1417
	Threadless Injector Fitting	1-1/4" - 2" x 3/8"	C1432
	Threadless Injector Fitting	1-1/4" - 2" x 1/4"	C1433
	Threadless Injector Fitting	2-1/2" x 3/8"	C1434
	Threadless Injector Fitting	3" x 3/8"	C1436
	Threadless Injector Fitting	4" x 3/8"	C1438
	Threadless Injector Fitting	6" x 3/8"	C1440
	Threadless Injector Fitting	8" x 3/8"	C1442
C-340N-6V	Foot Valve/Strainer for 3/8" Tubing		C1450
C-346	Ceramic Weight		C1470



**BLUE-WHITE**  
INDUSTRIES

## FLEXFLO A-100N SERIES HIGH PRESSURE CHLORINATORS

Equipped with solid state percentage timer with dial type feed adjustment. Operates under Higher Pressure up to 100 PSI. Self-priming, even against line pressure. Offers fast, convenient tube changes with no valves or seals. Long Tube Life.

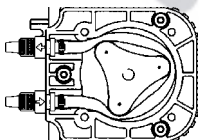


Digital Models  
Available by  
Special Order  
- Add \$50

GALLONS PER DAY	MODEL NO.	DESCRIPTION	ITEM NO.
6.8	A1N00A-6T	Blue-White High Pressure Chlorinator	C1021
9.5	A-1N30A-4T	Blue-White High Pressure Chlorinator	C1018
16.0	A1N10A-6T	Blue-White High Pressure Chlorinator	C1023
24.0	A1N20A-6T	Blue-White High Pressure Chlorinator	C1025
30.1	A1N30A-6T	Blue-White High Pressure Chlorinator	C1027
52.5	A1N10A-7T	Blue-White High Pressure Chlorinator	C1029
76.1	A1N20A-7T	Blue-White High Pressure Chlorinator	C1031
95.1	A1N30A-7T	Blue-White High Pressure Chlorinator	C1033

### Parts for A-100N Series

A-002N-4T	1/4 Pump Tube Assy. - 3/8" Tube Nut Connection	C1444
A-002N-6T	3/8 Pump Tube Assy. - 3/8" Tube Nut Connection	C1445
A-002N-7T	7/16 Pump Tube Assy. - 3/8" Tube Nut Connection	C1443
A-002N-6Q	3/8 Pump Tube Assy. - 3/8" Quick-Connect	C1447
A-002N-4Q	1/4 Pump Tube Assy. - 3/8" Quick-Connect	C1446



## ROLA-CHEM CHLORINATORS

Pro-Series with Plastic Construction  
One Year Limited Warranty



GALLONS PER DAY	MODEL NO.	DESCRIPTION	ITEM NO.
9.6	<b>RC-25/50</b>	Rola-Chem Chlorinator	C1001
40.0	<b>RC-103 SC</b>	Rola-Chem Chlorinator	C1000
80.0	<b>RC-503 SC</b>	Rola-Chem Chlorinator	C1007

### Parts for Rola-Chem Chlorinators

Silicone Feed Tube R-115S	(523115)	C1010
Plastic Injection Fitting Assembly	(527159)	C1379
E-Z Glide Silicone Lubricant	(523102)	C1011
Hose Weight	(523110)	C1318
Brass Injector	(527158)	C1373



## STENNER CHLORINATORS



### Peristaltic Chemical Feeders

A high quality, rugged chemical feeder highly resistant to the most corrosive chemicals. Stenner chlorinators are self-priming & feature mechanical control with peristaltic action for precise outputs. For ease of maintenance or replacement, all major feeder components can be easily disassembled without using tools.

#### Fixed Feed Rate

GALLONS PER DAY	Model	Accessories	Item No.
22*	Stenner Model <b>45M3</b>	(#3 Tube Size) with 1/4" Accessories	C1385

#### Adjustable Feed Rate Controls

2.5 to 50*	<b>45M5</b>	(#5 Tube Size) with 1/4" Accessories	C1383
2.5 to 50*	<b>45M5</b>	(#5 Tube Size) with 3/8" Accessories	C1900
4.3 to 85*	<b>85M5</b>	(#5 Tube Size) with 1/4" Accessories	C1384
4.3 to 85*	<b>85M5</b>	(#5 Tube Size) with 3/8" Accessories	C1902
5.0 to 100	<b>100DM5</b> Double Head	(#5 Tube Size) with 3/8" Accessories	C1904
8.5 to 170	<b>170DM5</b> Double Head	(#5 Tube Size) with 3/8" Accessories	C1906

\*Feeder output may be reduced by replacing pump tube with smaller size

### Tube Assemblies For Stenner Feeders



#1 Replacement Tube Assembly with Ends	(Pkg. of 2)	<b>UCCP201</b>	C1915
#2 Replacement Tube Assembly with Ends	(Pkg. of 2)	<b>UCCP202</b>	C1916
#3 Replacement Tube Assembly with Ends	(Pkg. of 2)	<b>UCCP203</b>	C1917
#4 Replacement Tube Assembly with Ends	(Pkg. of 2)	<b>UCCP204</b>	C1918
#5 Replacement Tube Assembly with Ends	(Pkg. of 2)	<b>UCCP205</b>	C1920
Injector 1/4"	(Pkg. of 1)	<b>UCDBINJ</b>	C1921
Injection FTG	(Pkg. of 1)	<b>UCAK300</b>	C1930
1/4" Check Valve Kit	(Pkg. of 1)	<b>MCDBKIT</b>	C1978+

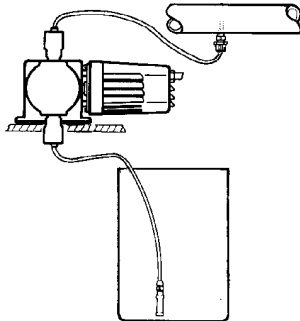
+Limited Stock

**CHEM TECH FEEDERS**

**Series 100 & 200**



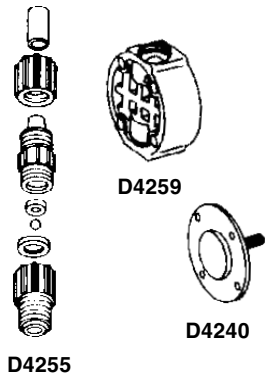
*A Reliable and Durable, H. D. Diaphragm Feed Pump with a Fully Adjustable Feed Rate Control. Provides Excellent efficiency under Strenuous Conditions. Built for Long Life.*



GALLONS PER DAY	DESCRIPTION	ITEM NO.
7	Model <b>007</b> Chem-Tech Feeder <i>Uses 1/2" OD Tubing</i>	100 psi D4202+*
30	Model <b>030</b> Chem-Tech Feeder <i>Uses 1/2" OD Tubing</i>	100 psi D4218+*
40	Model <b>240</b> Chem-Tech Feeder <i>Uses 1/2" OD Tubing</i>	125 psi D4205*
60	Model <b>260</b> Chem-Tech Feeder <i>Uses 1/2" OD Tubing</i>	125 psi D4210*
120	Model <b>2-120</b> Chem-Tech Feeder <i>Uses 1/2" OD Tubing</i>	80 psi D4215+*

+Limited Stock  
\*Non-Stock Item

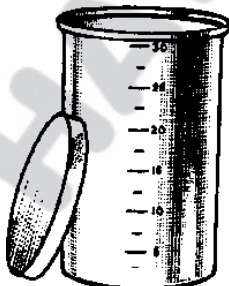
**Parts for Chem Tech Feeders**



Complete Head Assy. (Series 100/200)	28903	(A51P)	D4245
KOP Kit: Includes All Wet End Parts			D4350
Acrylic Head Only	J28800	(242P)	D4259
Valve Housing	41540	(244P)	D4230
Injector Fitting w/ Check Valve Assy.	J41658	(A52P)	D4255
Anti-Siphon Valve Assy.	41624		D4260
Diaphragm, Hypalon	25704	(228P)	D4240
Foot Valve and Strainer Assy.	J40117	(A50P)	D4250
Coupling Nut	J24960	(240P)	D4272
Chlorinator Oil for Misc. Chemical Feeders - Quart			D1050

**LMI BRAND METERING PUMPS & PARTS AVAILABLE ON SPECIAL ORDER BASIS**

**STORAGE VATS**



50 Gallon Storage Vat with Lid	D1058
Lid Only for 50 Gallon Vat	D1059
50 Gallon Vat Only	D1060
150 Gallon Storage Vat with Lid	D1061
Lid Only for 150 Gallon Vat	D1062
150 Gallon Vat Only	D1063
50 Gallon Containment Tank	D1065